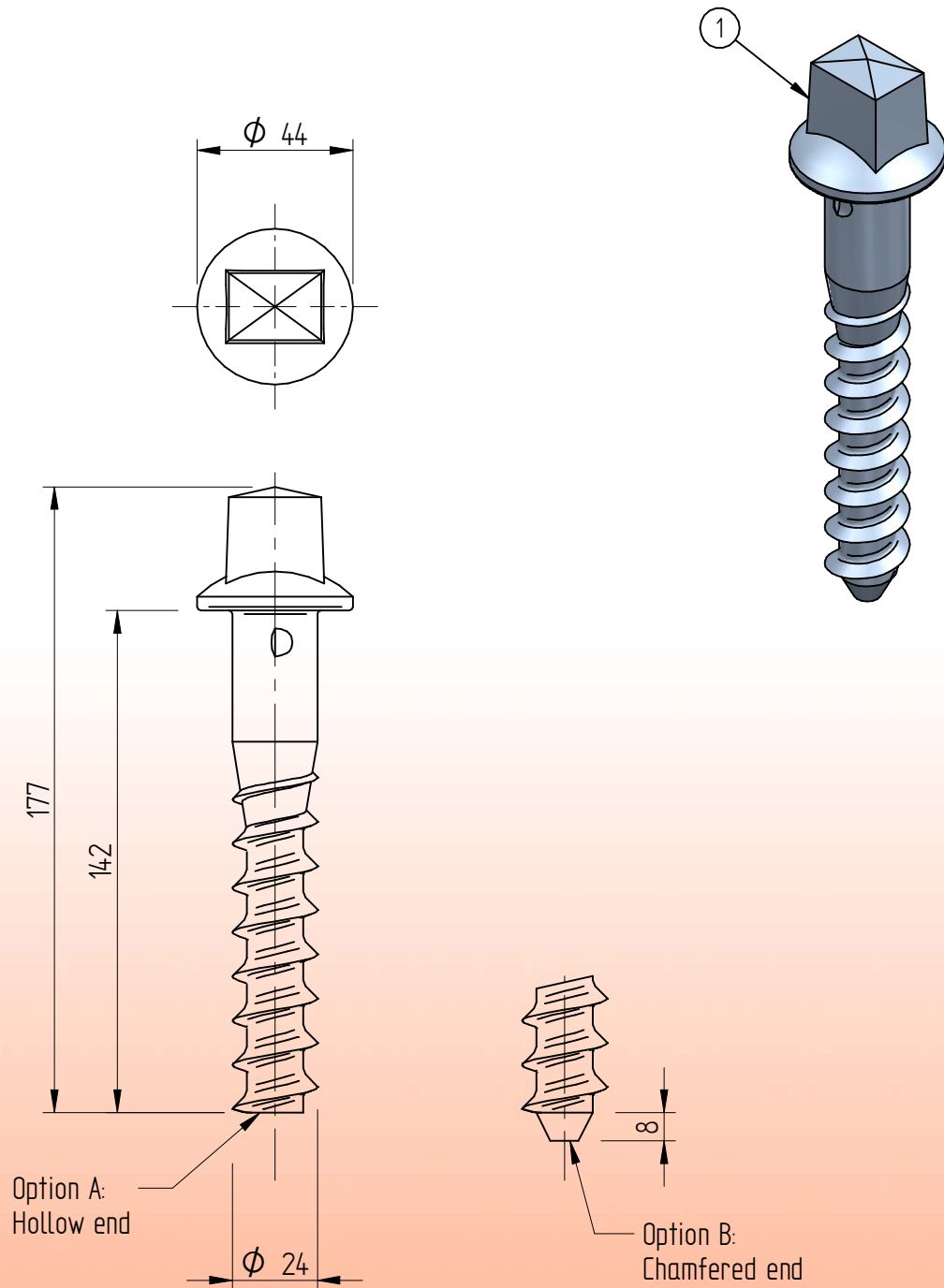


# Standard fastening material

## Sleeper screw Ss 8/150



\* Standard preservation is hot dip galvanized and standard material grade is 4.6.  
Other preservation and grade options in agreement.

1	Sleeper screw / Ss8	*	SS8 / $\Phi 24 \times 150$		m = 0,545 [kg]
Item	Description	Material	Type / Dimensions	Norm	Comments



**BemoRail**

Debbemeerweg 59  
1749 DK Warmenhuizen  
The Netherlands

Tel.: +31 (0)226 425300  
Email: info@bemorail.nl  
www.bemorail.com