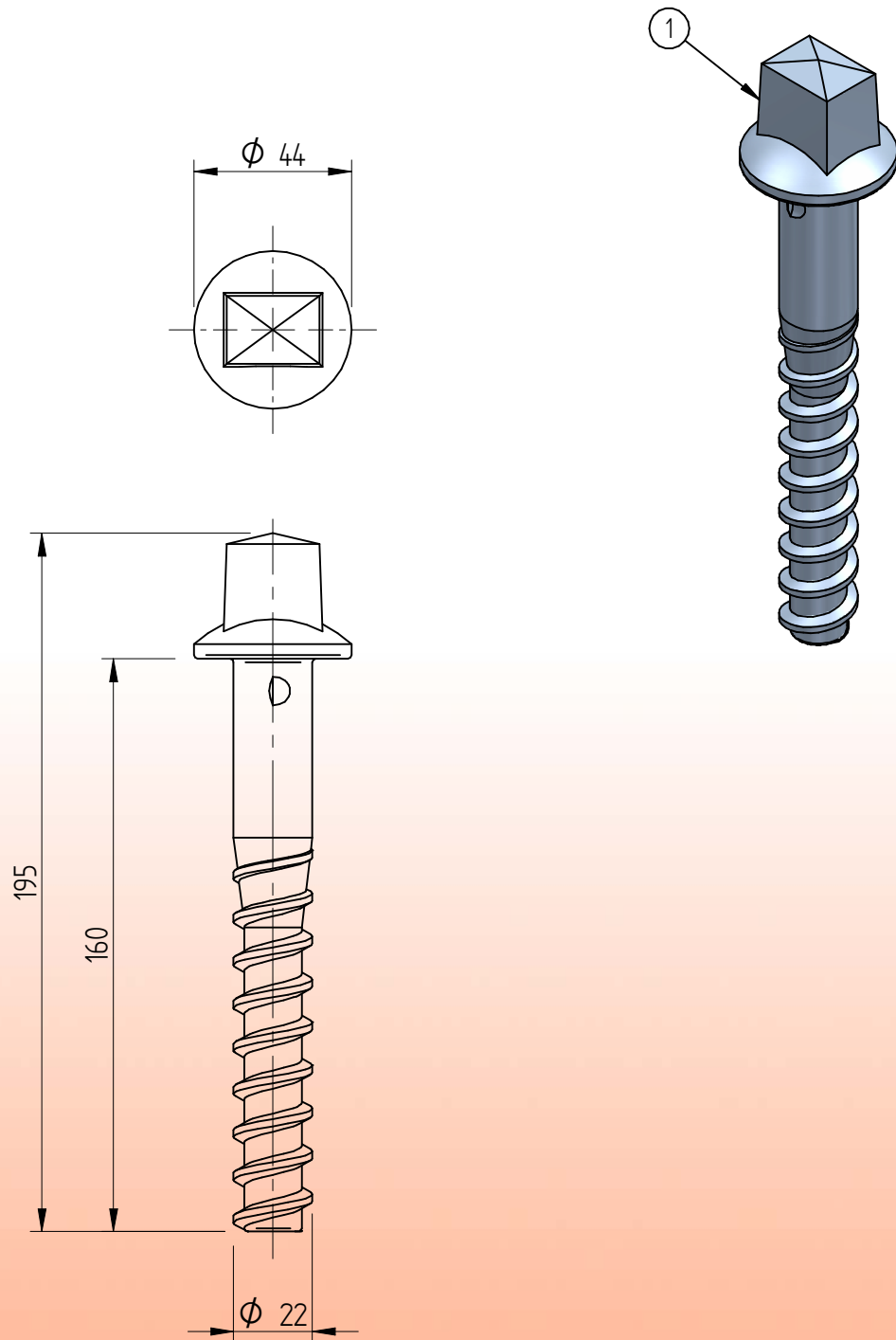


# Standard fastening material

## Sleeper screw Ss 1/160



\* Standard preservation is hot dip galvanized and standard material grade is 4.6.  
Other preservation and grade options in agreement.

1	Sleeper screw	*	Φ22x160		m = 0,556 [kg]
Item	Description	Material	Type / Dimensions	Norm	Comments