

Standard fastening materials

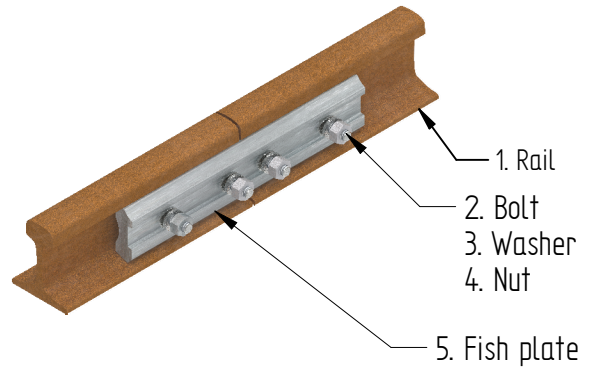
Fish plates



Fish Plates

Available per set for various types of rail.

A set consists of 2 fish plates including fastening material.



Fish plate Type	Rail type	Length [mm]	Measure A [mm]	Measure B [mm]	Measure C [mm]	Mass/piece [kg]
FI 7	S 7	280	70	70	35	1,19
FI 10	S 10	300	75	75	37,5	1,36
FI 14	S 14	330	75	90	37,5	2,6
FI 18	S 18	330	75	90	37,5	3,1
FI 20	S 20	330	75	90	37,5	3,2
FI 30	S 30	530	128,6	127	73,7	9,5
FI 33	S 33	530	130	120	80	12,69
FI 41/49	S 41/S 49	580	100	165	75	17,44
FI 14a	S 49/ S 54	630	100	165	10	25,52
FI 14c	S 49/ S 54	245	40	165	40	9,8
FI 30a	UIC 60	630	100	165	90	36,456
FI 37	PH 37	760	180	120	120	40,05
FI 37a	PH 37a	760	180	120	120	38,19
FI Ri 59/60	Ri 59/60	760	180	120	120	38,94

