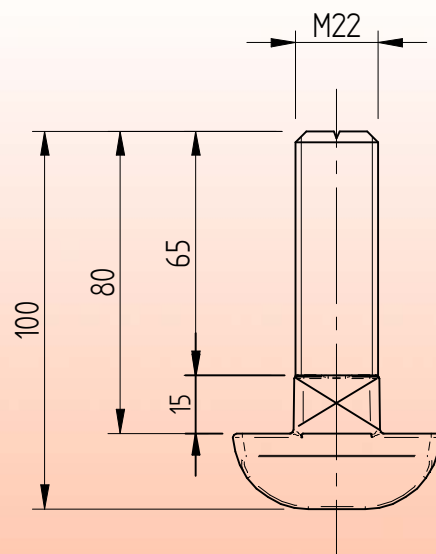
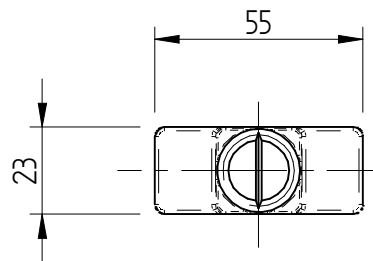
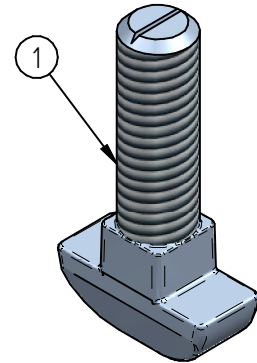


# Standard fastening material

## T-headed bolt Hs 40w 22/80



\* Standard preservation is hot dip galvanized or self-coloured.  
Other preservation and grade options in agreement.

1	Hammerhead bolt	S235JR Grade 4.6*	M22 x 80mm	Hs 40 w	m = 0,402 [kg]
Item	Description	Material	Type / Dimensions	Norm	Comments



Debbemeerweg 59  
1749 DK Warmenhuizen  
The Netherlands

Tel.: +31 (0)226 425300  
Email: info@bemorail.nl  
www.bemorail.com