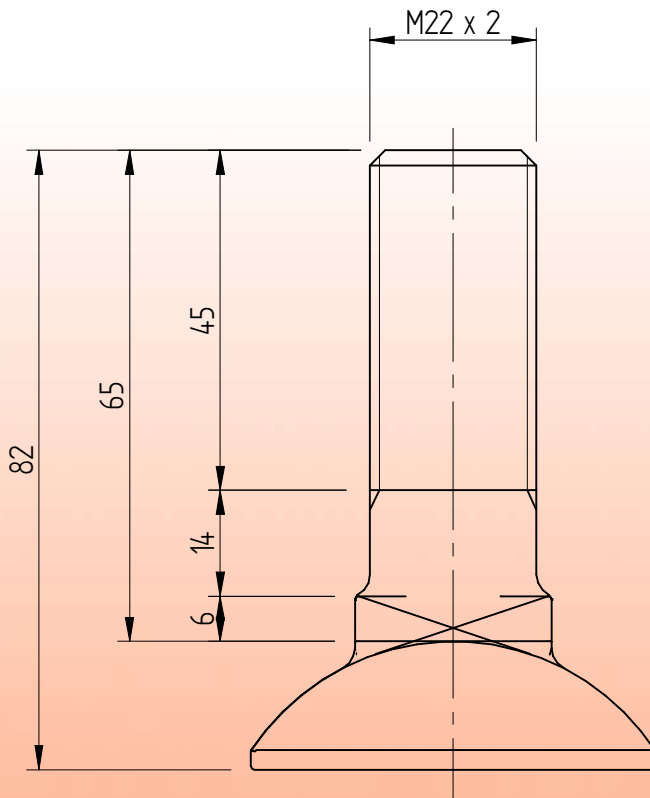
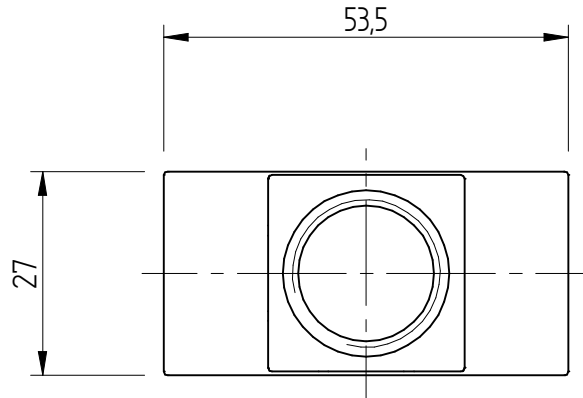
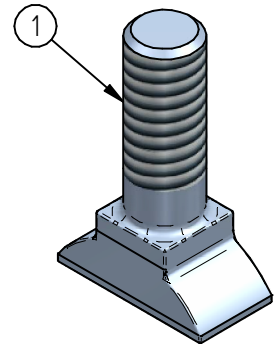


# Standard fastening material

## T-headed bolt HS 32/65



\* Standard preservation is hot dip galvanized or self-coloured.  
Other preservation and grade options in agreement.

1	T bolt	S235JR Grade 4,6*	Hs 32/65		m = 0,344 [kg]
Item	Description	Material	Type / Dimensions	Norm	Comments