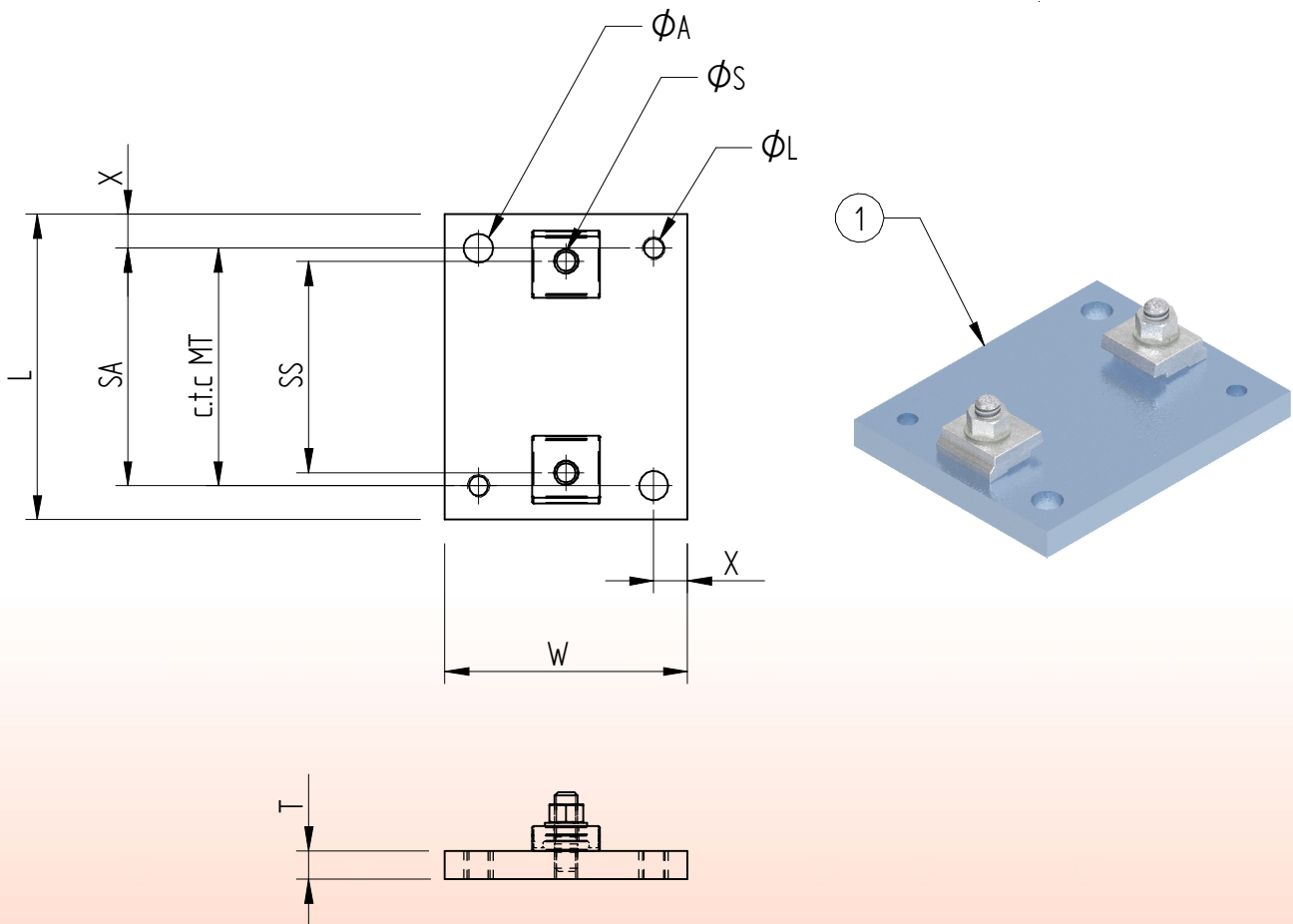


Standard discontinuous supported sole plate for boltable clamps



Type rail profile		
Type rail clamp		
Width soleplate	W	
Thickness soleplate	T	
Length sole plate	L	
Anchor bolt holes	ØA	
Levelling bolt holes	ØL	
Stud bolt holes	ØS	
C.t.c Levelling bolt holes	c.t.c MT	
C.t.c Anchor bolt holes	SA	
C.t.c Stud bolt holes	SS	
C.t.c Rail clamps	c.t.c	
Edge distance	X	X ~ 1,5 T

Characteristics of discontinuous supported sole plate:

- Length: Varying between 180 and 400 mm.
- Width: Varying between 150 and 300 mm.
- Thickness: Varying between 12 and 30 mm.
- Material: S235JR, S275JR, S355J0.
- Preservation: coating, duplex system, hot dip galvanized or Self-coloured.