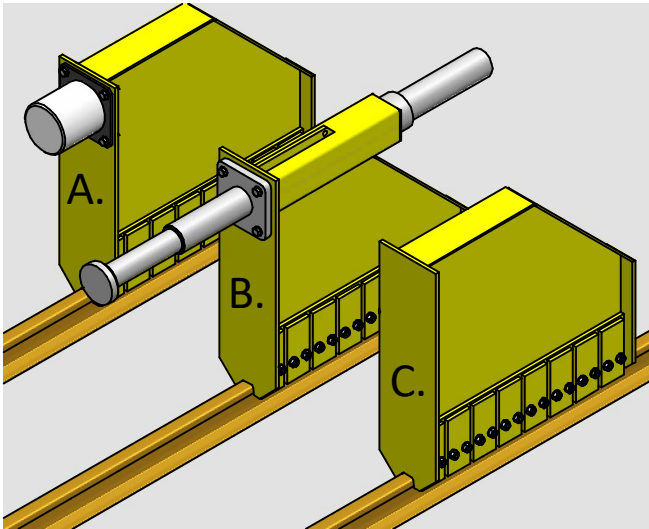
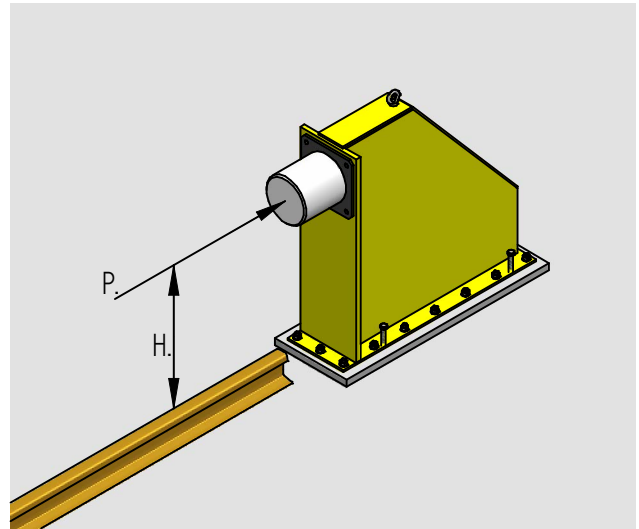


Buffers



1. Buffer on rail



2. Buffer on concrete

For safety reasons it is recommended to assemble buffers at the end of the crane track. Bemo Rail has much experience in calculating, designing, manufacturing and assembling buffers. Calculations are made in conformity with DIN 15018 4.3.2. All buffers are made to measure.

Types:

1. Rail buffer. Buffers are clamped to the rails by special clips.
2. Concrete buffer. Buffers are mounted on the concrete construction with anchor bolts.

Energy absorbers:

To eliminate the crane's energy there are three methods:

- A. Rubber buffer, or Cellular-plastic buffer.
- B. Hydraulic cylinder.
- C. None. With sufficient energy absorbers on the crane.

Design data:

To design a buffer the following data are needed:

Energy absorber:

- H = The height from the heart of centre of the contact point of the crane to the top of the railhead.
- P = The pushing power in kN. If P is not known, we calculate it on the basis of mass and speed of the crane.
- m = The mass of the crane.
- v = The maximum speed.

Besides buffers for crane tracks, Bemo Rail can also supply buffer frames for railway tracks.

Type Crane Rail profile:			
The rail height from the center of the contact point of the crane to the top of the rail head	H		[mm]
Impact force in kN. If P is not known, we calculate it on the basis of mass and speed of the crane.	P		[kN]
The mass of the crane	m		[kg]
The maximum speed of the crane	v		[m/s]