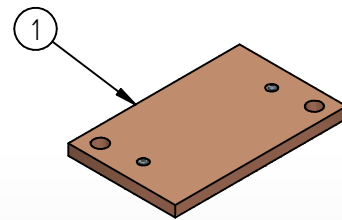
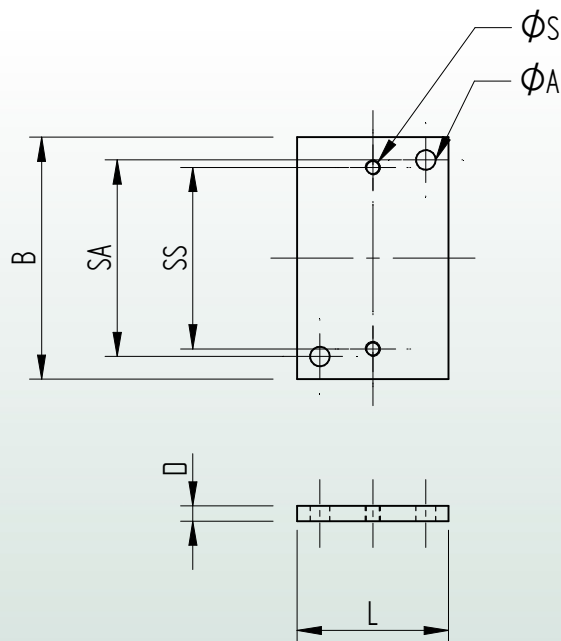


Standard discontinuous supported sole plate for boltable clamps



Characteristics of discontinuous supported sole plate:

- Length: Varying between 150 and 300 mm.
- Width: Varying between 150 and 300 mm.
- Thickness: Varying between 12 and 50 mm.
- Material: S235JR, S275JR, S355J0.
- Preservation: Self-coloured, coating, hot dip galvanized, duplex system.
- Tolerances: Soleplate tolerance according to NEN EN 10029.



Type rail profile		
Type rail clamp		
Width soleplate	B	
Thickness soleplate	D	
Anchor bolt holes	ØA	
Stud bolt holes	ØS	
C.t.c. Anchor bolt holes	SA	
C.t.c. Stud bolt holes	SS	
Length sole plate	L	