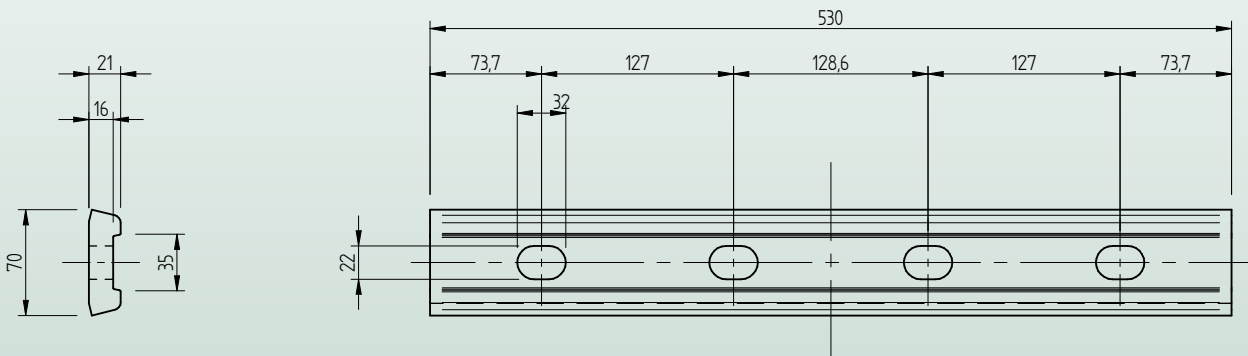
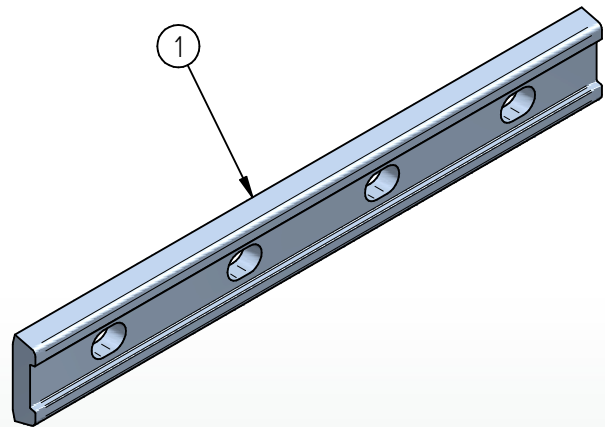


Standard fastening material

Fishplate FL30



| 1 | Fish plate S30 | S235JR | FL30 | - | m = 9,5 [kg] |
|------|----------------|----------|-------------------|------|--------------|
| Item | Description | Material | Type / Dimensions | Norm | Comments |