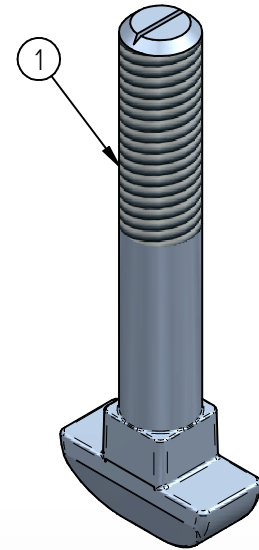
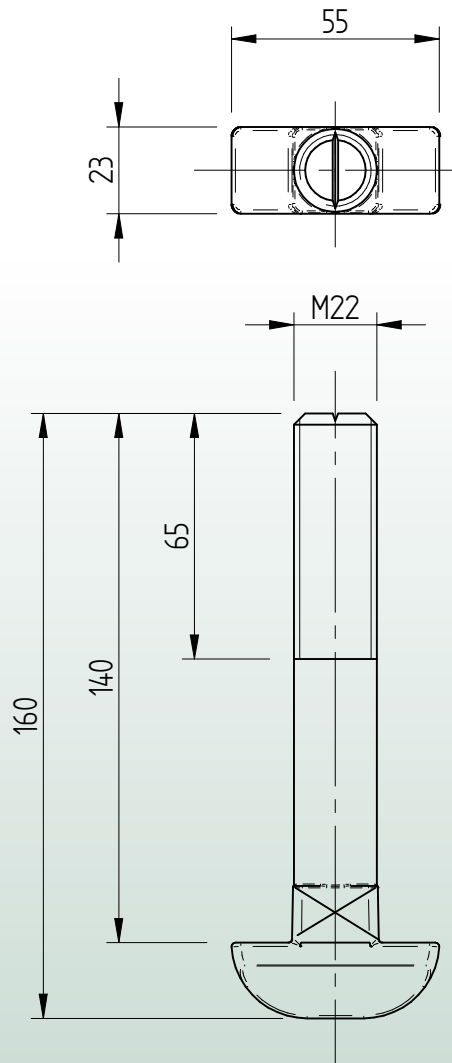


Standard fastening material

T-headed bolt Hs 40w 22/140



* Standard preservation is hot dip galvanized or self-coloured.
Other preservation and grade options in agreement.

| 1 | Hammerhead bolt | S235JR Grade 4.6* | M22 x 140mm | Hs 40 w | m = 0,581 [kg] |
|------|-----------------|-------------------|-------------------|---------|----------------|
| Item | Description | Material | Type / Dimensions | Norm | Comments |